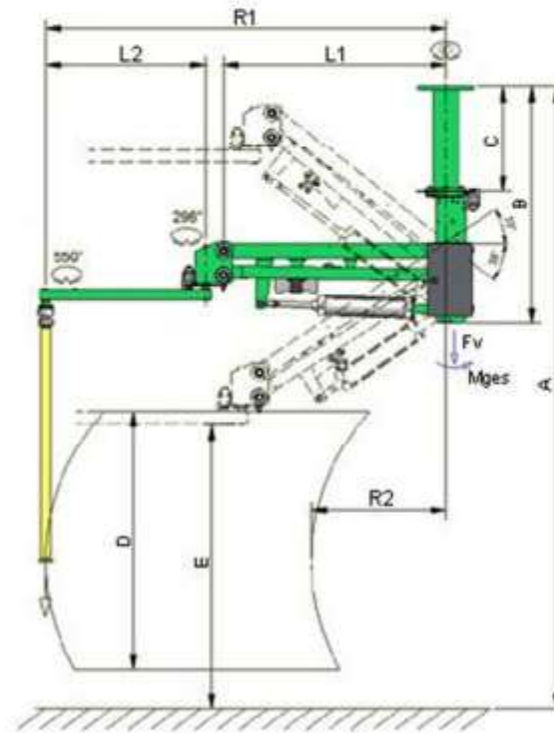
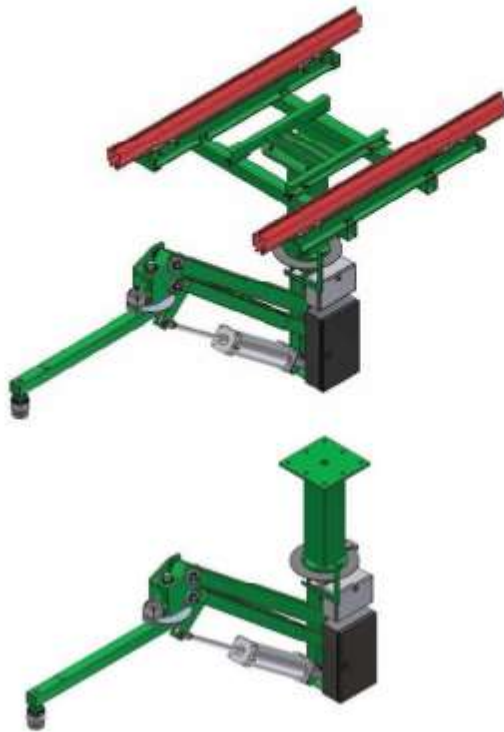


PN ERGO overhead construction



		PN 80	PN 80 C*	PN 160	PN 160 C*	PN 250	PN 250 C*
Load	kg	80	110	160	210	250	310
R1	mm	2700	2700	2700	2700	2605	2605
R2	mm	907	907	935	935	900	900
A	mm	4293	4293	4388	4388	4172	4172
B	mm	1602	1602	1614	1614	1536	1536
C	mm	690	690	610	610	480	480
L1	mm	1080	1080	1065	1065	1040	1040
L2	mm	1500	1500	1500	1500	1400	1400
D	mm	1752	1752	1716	1716	1451	1451
E	mm	2017	2017	1980	1980	1715	1715
Fv max.**	daN	466	-	780	-	1010	-
Mges max.**	daNM	5,2	-	9,57	-	14,1	-
Weight	kg	290	-	465	-	546	-

* Load capacity with constant load balancing - counterweight tools

** value according to CNR 10021/85

*** the height of the column can be changed as required. (E also changes)